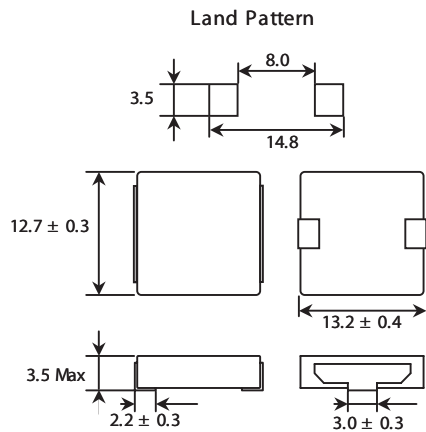


Mechanical Specification
RoHS
COMPLIANT


Dimensions: mm

Special Features

- Shield construction
- Frequency range up to 5MHz
- Lowest DCR/uH
- Low buzz noise

Applications

- PDA/Notebook/Desktop/Server applications
- Low profile, high current power supplies
- Battery powered devices
- DC/DC converters for power system distribution

Notes

- Inductance : 100kHz, 100mV
- Tolerance of inductance : $\pm 20\%$
- Saturation rated current :
20% lower than its initial value
- Temperature rise current : $\Delta T = 40\%$
- Operating temperature : $-55^{\circ}\text{C} \sim 120^{\circ}\text{C}$
- All test data is referenced to 25°C ambient

Electrical Specification
VV-5600 SERIES

Part Number	Inductance (μH)	DCR (Typical, $\text{m}\Omega$)	DCR (Max, $\text{m}\Omega$)	Saturation Rated Current (Typical, A)	Temperature Rise Current (Typical, A)
VV-5600-R47	0.47	1.6	2.0	55.0	32.0
VV-5600-R60	0.60	1.8	2.2	51.0	29.0
VV-5600-R68	0.68	2.3	2.5	49.0	28.0
VV-5600-R82	0.82	2.6	3.0	44.0	25.0
VV-5600-1R0	1.00	3.3	3.5	40.0	24.0
VV-5600-1R5	1.50	5.1	5.5	35.0	19.0
VV-5600-1R8	1.80	6.5	7.0	30.0	16.5
VV-5600-2R2	2.20	7.2	8.0	29.0	16.0
VV-5600-3R3	3.30	11.0	12.0	27.0	12.0
VV-5600-4R7	4.70	14.3	15.0	24.0	10.0
VV-5600-5R6	5.60	18.3	19.0	19.0	9.5
VV-5600-6R8	6.80	19.8	22.0	18.0	9.0
VV-5600-8R2	8.20	24.8	28.0	16.0	8.5
VV-5600-100	10.00	30.4	34.0	14.0	7.0
VV-5600-220	22.00	86.1	90.0	4.0	3.0